

# Old Village Collection

OV - 242  
post mount

27h x 9w x 6.5d

## ELECTRIC OPTIONS

- Medium Base Socket
- Frosted Chimney
- Single Brass Candle
- Single Brass Tall Candle
- 2 Light Brass Cluster
- 2 Light Tall Brass Cluster
- 3 Light Brass Cluster
- 4 Light Brass Cluster
- Drip Candle Covers



## GAS OPTIONS

- Single Brass Burner
- Double Brass Burner
- Triple Brass Burner
- Extra Tall Burner
- LP Brass Burner
- Palmetto Flame Brass Burner
- Bat Flame Brass Burner
- Hidden Gas Line



## GLASS OPTIONS

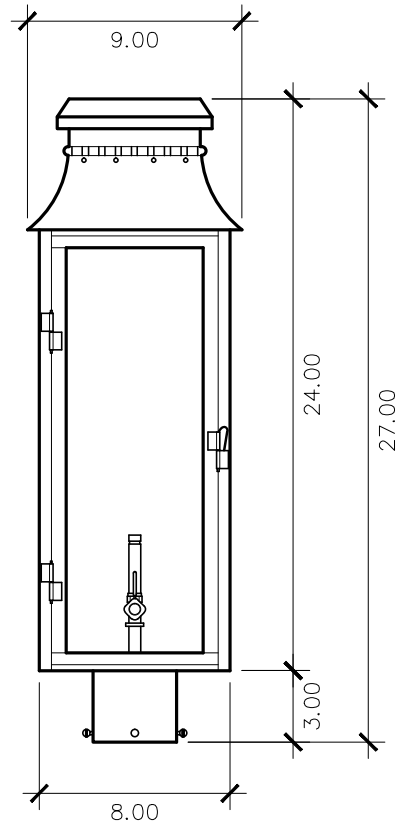
- Tempered Clear
- Seeded
- Artique

## ACCESSORIES

- Solid Copper Top
- Copper Panels
- Top Copper Ring
- Brass Cross Bars
- Copper Cross Bars
- Top Loop
- Full Scroll
- Backward Scroll
- Side Scrolls
- Down Scrolls
- Top Loop Hanger
- Wall Bracket WBC
- Wall Yoke
- Extender Bracket
- Top Mount
- Top Hole Backplate
- Pier Mount
- Pier Mount Cover

## FINISHES

- Solid Copper
- Aged Bronze
- Powder Coated Black
- Silver



## STANDARD FEATURES

Solid Copper  
Tempered Clear Glass  
Electric: Single Brass Candle  
Gas: Single Brass Burner  
Mounts on Standard Poles or Pier Mounts  
of 3" Diameter

\* Shown with Standard Single Brass Burner

# Lantern & Scroll

a brilliant first impression