

Charleston Collection

CH - 26
hanging

ELECTRIC OPTIONS

- Medium Base Socket
- Frosted Chimney
- Single Brass Candle
- Single Brass Tall Candle
- 2 Light Brass Cluster
- 2 Light Tall Brass Cluster
- 3 Light Brass Cluster
- 4 Light Brass Cluster
- Drip Candle Covers



GAS OPTIONS

- Single Brass Burner
- Double Brass Burner
- Triple Brass Burner
- Extra Tall Burner
- LP Brass Burner
- Palmetto Flame Brass Burner
- Bat Flame Brass Burner
- Hidden Gas Line



GLASS OPTIONS

- Tempered Clear
- Seeded
- Artique

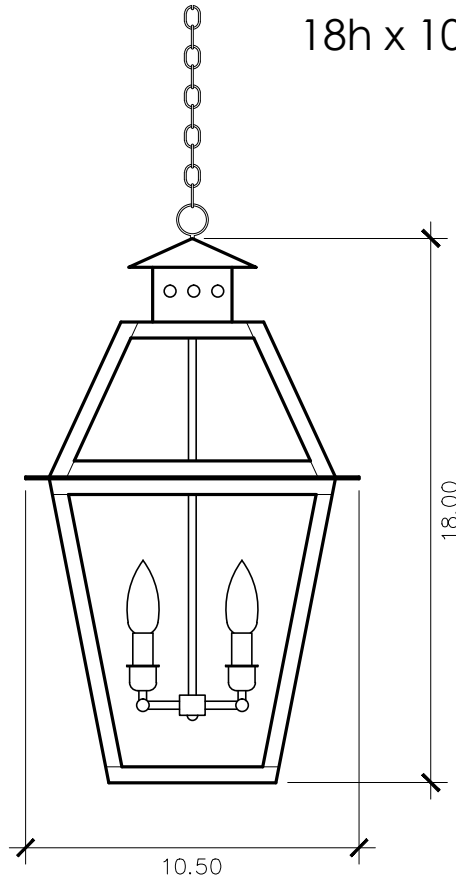
ACCESSORIES

- Solid Copper Top
- Copper Panels
- Top Copper Ring
- Brass Cross Bars
- Copper Cross Bars
- Top Loop
- Full Scroll
- Backward Scroll
- Side Scrolls
- Down Scrolls
- Top Loop Hanger
- Wall Bracket WBC
- Wall Yoke
- Extender Bracket
- Top Mount
- Top Hole Backplate
- Pier Mount
- Pier Mount Cover

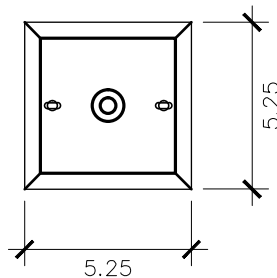
FINISHES

- Solid Copper
- Aged Bronze
- Powder Coated Black
- Silver

18h x 10.5w x 10.5d



CEILING MOUNTING PLATE



STANDARD FEATURES

Solid Copper
Tempered Clear Glass
Electric: 2 Light Brass Cluster
Gas: Not Available On This Model
Includes 18" of Chain

* Shown with Standard 2 Light Brass Cluster

Lantern & Scroll
a brilliant first impression